

Stop locks

with 4 indexing positions (4 x 90°)

SPECIFICATION

Type

Type **A**: Mounting with countersunk screw

Latch

Zinc die casting

plastic coated

black, RAL 9005, textured finish **SW**

silver, RAL 9006, textured finish **SR**

Indexing mechanism

Stainless Steel

Countersunk screw DIN 7991

Stainless Steel (A2)



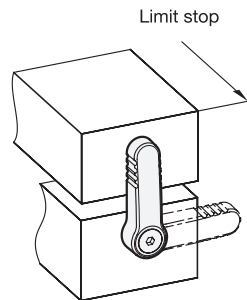
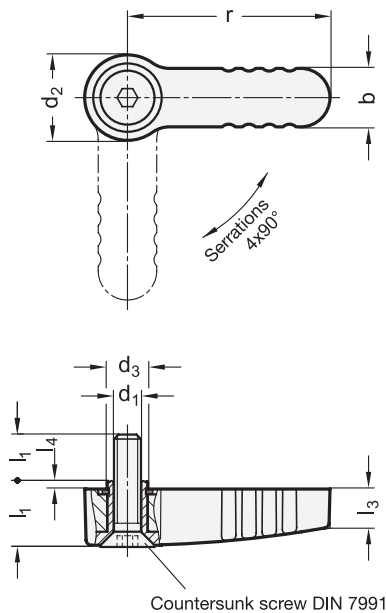
INFORMATION

Stop locks GN 720 may be used as stops and feature a high degree of stability.

The inside ball-spring latching mechanism has 4 latching positions at a distance of 90° each. Thanks to the bolt attachment using the countersunk screw, the latching position is freely selectable.

The bar is solid and may be machined, if required.

The countersunk screw is enclosed as part of the set.



GN 720

Description	r	d1	b	d2	d3	l1	l2	l3	l4	Load F max. in N	
GN 720-45-M6-A-SR	45	M 6	13	19	9	12	13	8.5	0.5	500	59
GN 720-45-M6-A-SW	45	M 6	13	19	9	12	13	8.5	0.5	500	59
GN 720-65-M8-A-SR	65	M 8	18	25	14	14	16	10.5	0.6	1000	131
GN 720-65-M8-A-SW	65	M 8	18	25	14	14	16	10.5	0.6	1000	131

